



# FLAMMABLE GAS SENSOR / TRANSMITTER

## Series 65-6551

### Description

Ampcontrol's Gasguard Flammable Gas Sensor / Transmitter is supplied complete with an amplifier and integrated Liquid Crystal Display.

The Gas sensor is housed in a cast stainless steel enclosure, is certified intrinsically safe and is suitable for use in a Zone 0 hazardous area. A remote head version with up to ten metres of cable is also available for use on mobile machinery such as roof bolters and continuous miners.

The Gasguard Flammable Gas Sensor / Transmitter, operates on the catalytic combustible gas detection principle. Combustible gases, once in contact with the heated catalytic sensor cause a small shift in sensor resistance proportional to the concentration of combustible gas. The sensor provides a linear current output proportional to gas concentration.

### Features

- Economical Fixed Gas Sensor / Transmitter
- Performance Tested To Australian Standards
- Rugged Construction
- Reliable
- Certified Intrinsically Safe – Ex ia
- LCD Display
- Non-Intrusive Closed Case Calibration

### Specifications

#### Sensor

Ingress Protection : Housing : IP66  
 : Gas Inlet Port : IP66

Housing Material : Cast Stainless Steel

Calibrated Range : 0 to 5% Methane (CH<sub>4</sub>)

Accuracy : 0 to 3% <math>\leq \pm 2\% \text{ FSD}</math>  
 : 3 to 4% <math>\leq \pm 4\% \text{ FSD}</math>  
 : 4 to 5% <math>\leq \pm 5\% \text{ FSD}</math>

Long Term Zero Drift : <math>\leq \pm 0.5\% \text{ FSD per month}</math>

Long Term Sensitivity Drift : <math>\leq \pm 2\% \text{ FSD per month}</math>

Repeatability : <math>\leq \pm 1\% \text{ of Reading}</math>

Sensing Element Life : >2 Years In Clean Air

Temperature Range : -10°C to + 50°C

Humidity Range : 0-95% RH, non-condensing

Resolution : 0.01% Methane (CH<sub>4</sub>)

#### Electrical

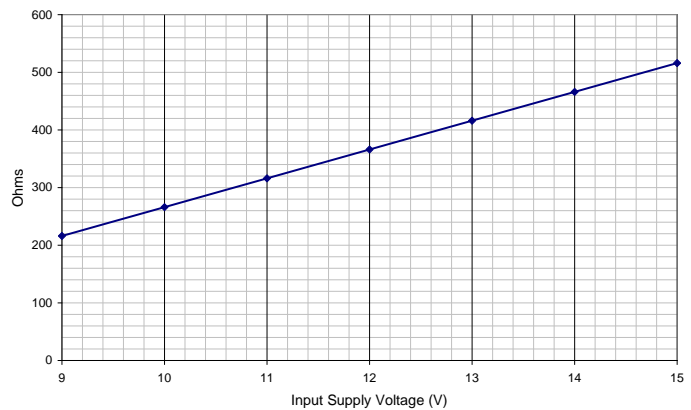
Supply Voltage : 10-16.5 VDC

Analogue Output : 4-20mA DC

Maximum Current : 100mA



Maximum Loop Resistance at 20mA



### Relative Sensitivity

Gas	Concentration	Reading (% v/v)
n-Hexane	1.2%	2.0
Hydrogen	4.0%	4.0
Methane	5.0%	5.0
n-Pentane	1.4%	2.0
Propane	2.1%	2.5

Relative sensitivity may differ from sensor to sensor and with ageing of the sensor

### Approval & Certification

ANZEx : ANZEx 03.4024X – Ex ia s Zone 0 | IP66

IECEX : IECEX TSA 06.0044X – Ex ia | IP66

MDA : MDA GD 5056

DPI : MDR 086759 GD ( Design Registration )

### Ordering Information

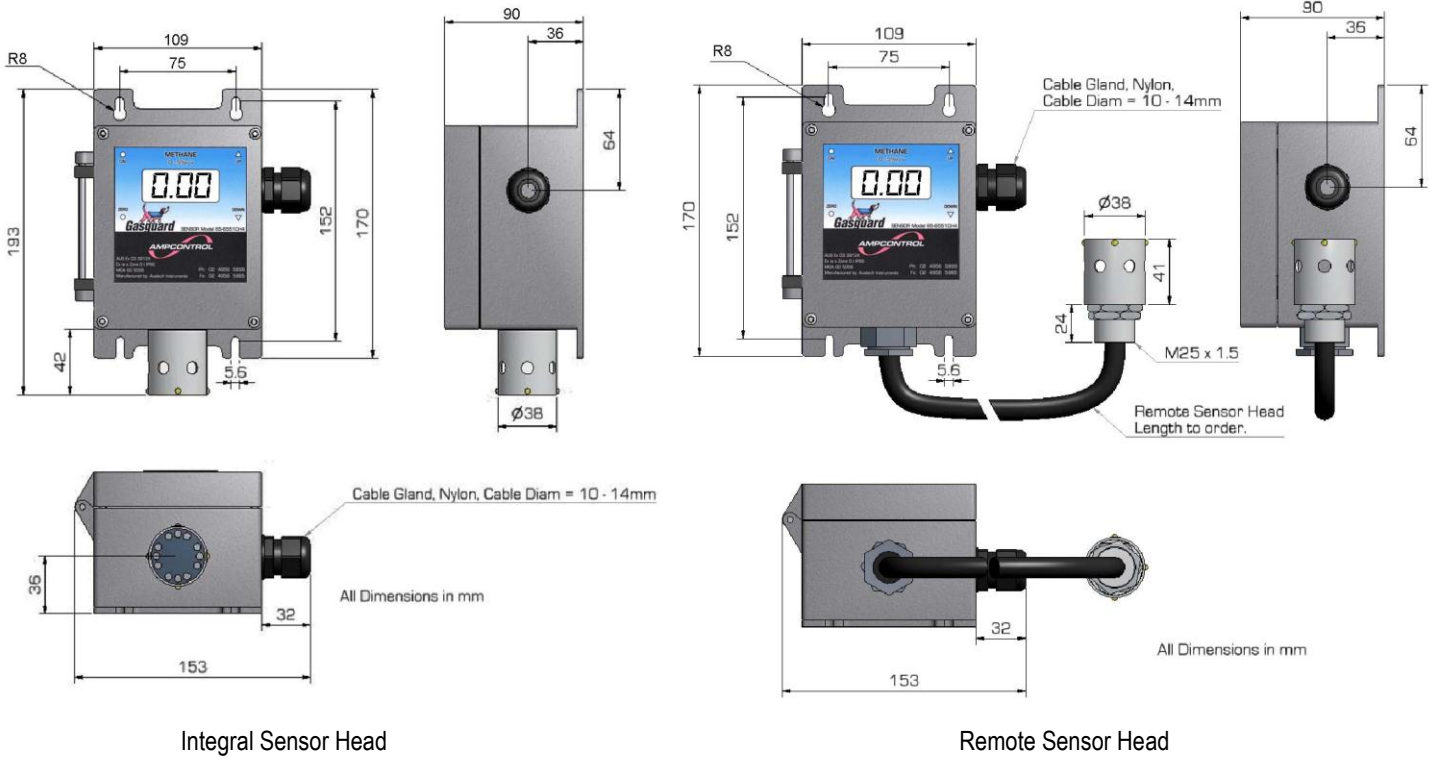
#### Part Number / Descriptions

- 106198 Sensor / Transmitter - Integral Sensor Head
- 115217 Sensor / Transmitter - 5 Metre Remote Sensor Head
- 101768 Sensor / Transmitter - 10 Metre Remote Sensor Head
- 115189 Sensor Only - Integral Sensor Head
- 115197 Sensor Only - 5 Metre Remote Sensor Head
- 101713 Sensor Only - 10 Metre Remote Sensor Head
- 121012 Calibration Sealing Ring
- 101613 Calibration Magnetic Screwdriver
- 106024 Calibration Cup
- 121647 Vibration Clip
- 121016 Allen Key

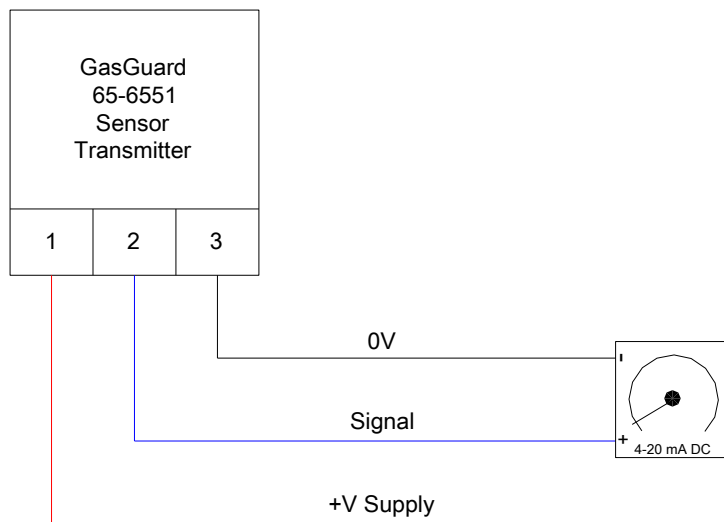


POWER THROUGH INNOVATION

## Dimensions



## Electrical Connections



### AMPCONTROL ELECTRONICS

Ampcontrol CSM Pty Ltd ABN 35 000 770 141  
 7 Billbrooke Close CAMERON PARK NSW 2285  
 Phone: (02) 4903 4800  
 Fax: (02) 4903 4888  
 E-mail: [electronics@ampcontrolgroup.com](mailto:electronics@ampcontrolgroup.com)  
 Web site: [www.ampcontrolgroup.com](http://www.ampcontrolgroup.com)

