

## CO<sub>2</sub> GAS SENSOR / TRANSMITTER

Series 65-6552

Gasguard Carbon Dioxide Monitoring

### Description

Ampcontrol's Gasguard Infrared Carbon Dioxide Sensor / Transmitters are supplied complete with an amplifier and a Liquid Crystal Display.

The Gas sensor is housed in a cast stainless steel enclosure, is certified intrinsically safe and is suitable for use in Zone 0 hazardous areas. A remote head version with up to ten metres of cable is also available.

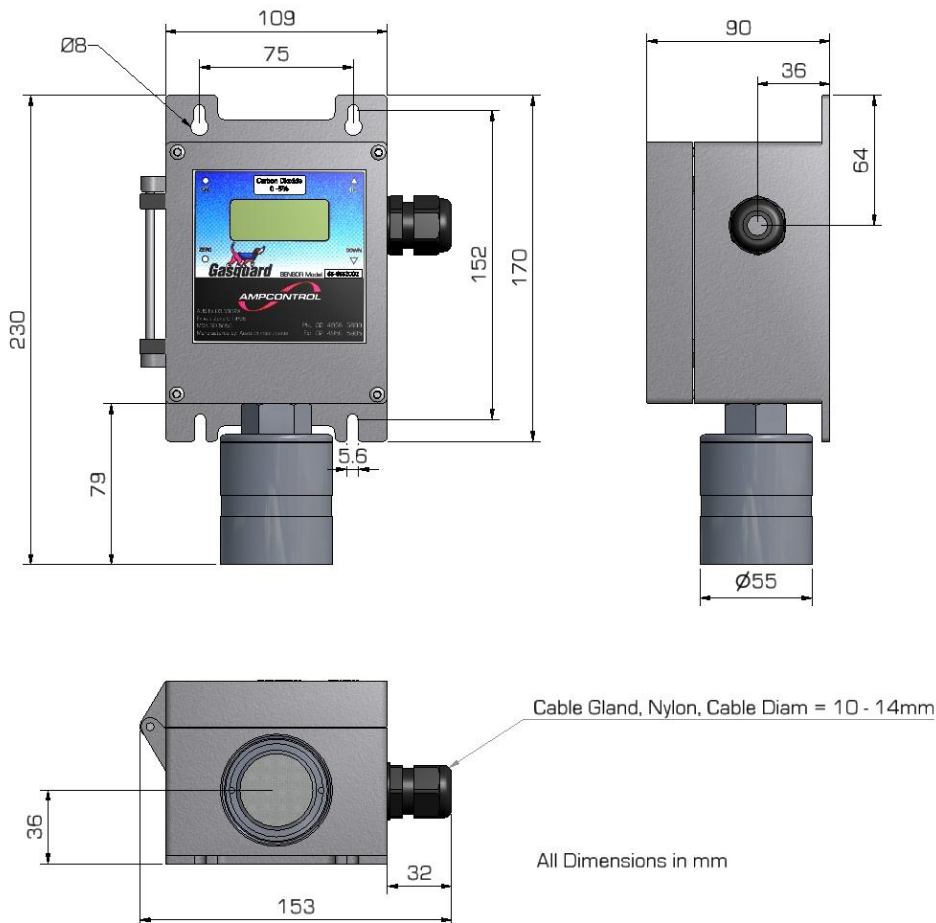
The Gasguard Infrared Carbon Dioxide Sensor / Transmitters operate on the Infrared Absorption principal and provide a linear 4-20mA DC current output.

### Features

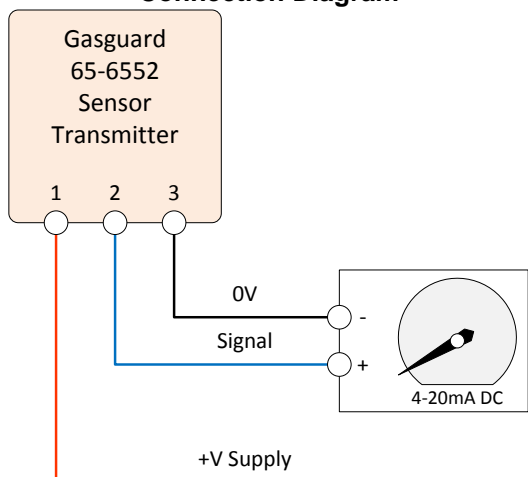
- Economical Fixed Gas Sensor / Transmitter
- Rugged Construction
- Reliable
- Certified Intrinsically Safe – Ex ia
- LCD Display
- Non-Intrusive Closed Case Calibration



### Dimensions

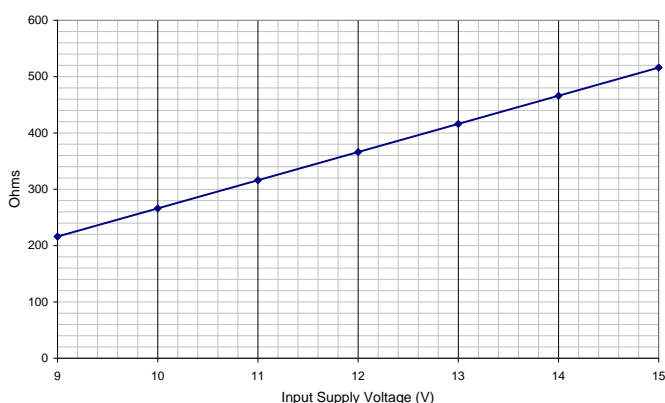


### Connection Diagram



### Loop Resistance Graph

Maximum Loop Resistance at 20mA



### Specifications

Electrical		
Supply Voltage	10 – 16.5 VDC	
Analogue Output	4-20mA DC	
Maximum Current	100mA	
Mechanical and Environment		
Humidity Range	0-95% RH, non-condensing	
Temperature Range	-10°C to + 40°C	
Housing Material	Cast Stainless Steel	
Ingress Protection	Housing: IP66 Gas Inlet Port: IP66	
Weight	3.8kg (approximately)	
Cable Gland Entry Size	8 to 13mm O.D.	
Sensor		
Detection Method	Non-Dispersive Infrared	
Calibrated Range	0 to 2% Carbon Dioxide (CO2) 0 to 5% Carbon Dioxide (CO2)	
Accuracy	0 to 2% <math>\leq \pm 2\% \text{ FSD}</math> 2 to 4% <math>\leq \pm 4\% \text{ FSD}</math> 4 to 5% <math>\leq \pm 5\% \text{ FSD}</math>	
Drift	<math>\leq \pm 100\text{ppm}</math> per month	
Repeatability	<math>\leq \pm 0.05\% \text{ CO}_2</math>	
Sensing Element Life	>5 Years in Clean Air	
Resolution	0.01% Carbon Dioxide (CO2)	
Certification		
IECEX	IECEX TSA 06.0044X – Ex ia I IP66	
DPI	MDR 087482 GD ( Design Registration )	
Ordering Information		
Part Number	Category	Description
115239	2%	CO2 Sensor / Transmitter - 2% - Integral Sensor Head
141569	2%	CO2 Sensor / Transmitter - 2% - 5 Metre Remote Sensor Head
141570	2%	CO2 Sensor / Transmitter - 2% - 10 Metre Remote Sensor Head
115240	5%	CO2 Sensor / Transmitter - 5% - Integral Sensor Head
141574	5%	CO2 Sensor / Transmitter - 5% - 5 Metre Remote Sensor Head
141579	5%	CO2 Sensor / Transmitter - 5% - 10 Metre Remote Sensor Head
140225	Accessory	Calibration Magnetic Tool
105693	Accessory	Calibration Cup
105703	Accessory	Allen Key
Find Out More		
For more information on this product, contact Ampcontrol Customer Service on +61 1300 267 373 or <a href="mailto:customerservice@ampcontrolgroup.com">customerservice@ampcontrolgroup.com</a> or visit the Ampcontrol website: <a href="http://www.ampcontrolgroup.com">www.ampcontrolgroup.com</a>		

#### DISCLAIMER

While every effort has been made to assure the accuracy of this document at the date of issue, Ampcontrol assumes no liability resulting from any omissions or errors in this document, and reserves the right to revise content at any time.