

PF1 EARTH LEAKAGE TOROID UPDATE

WHAT HAS CHANGED

The current EL500 Earth Leakage toroid used by the PF1 is experiencing hardware obsolescence issues, requiring a new toroid design to be utilised. The electrical characteristics have changed due to the differences in physical construction of the toroids, the electrical characteristics have been altered requiring a firmware upgrade.

- The new relay firmware (V6+) will allow new relays to operate with the new toroid and existing toroids.
- The existing relay firmware will not support the new toroid characteristics and may experience nuisance tripping on power up.

A new item number for the replacement toroid has been generated. Existing kit part numbers will remain.

PRODUCT PART NUMBERS

Existing Product	Existing Item Number	Replacement Product	Replacement Item Number
PF1 KIT	174403	No Change	No Change
EL500/60	115439	EL500SP1 (requires firmware V6+)	178810

Original item number versions will continue to be sold until stock is exhausted.

WHAT DO I NEED TO DO

It is desirable that users understand the compatibility of relays and toroids to prevent issues with repairs and for existing stock.

Existing relay firmware can be updated to the latest released firmware onsite using the latest smart tools software eliminating possible delays or the unit can be sent back to Ampcontrol for FW updating.

TOROID DIFFERENCES

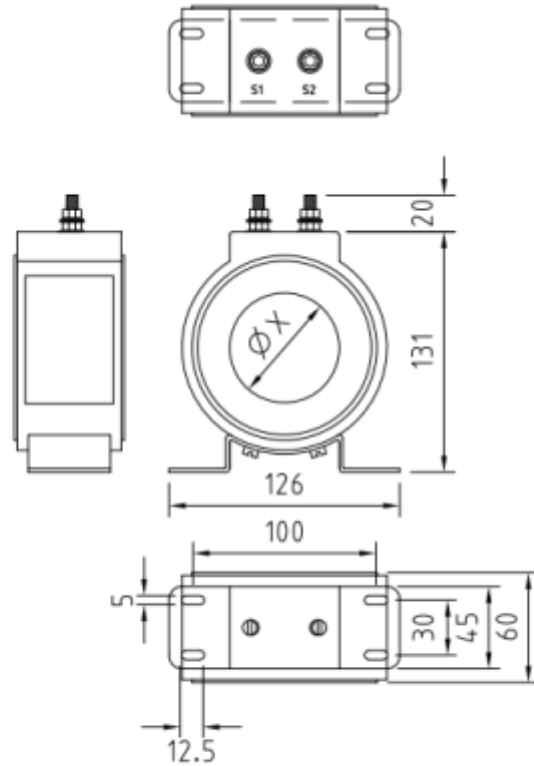
The toroid has physically changed resulting in a different foot print. See Figures below.

FIND OUT MORE

For more information on this product, please contact Ampcontrol Customer Service on +61 1300 267 373 or customerservice@ampcontrolgroup.com or visit the Ampcontrol website: www.ampcontrolgroup.com

DISCLAIMER

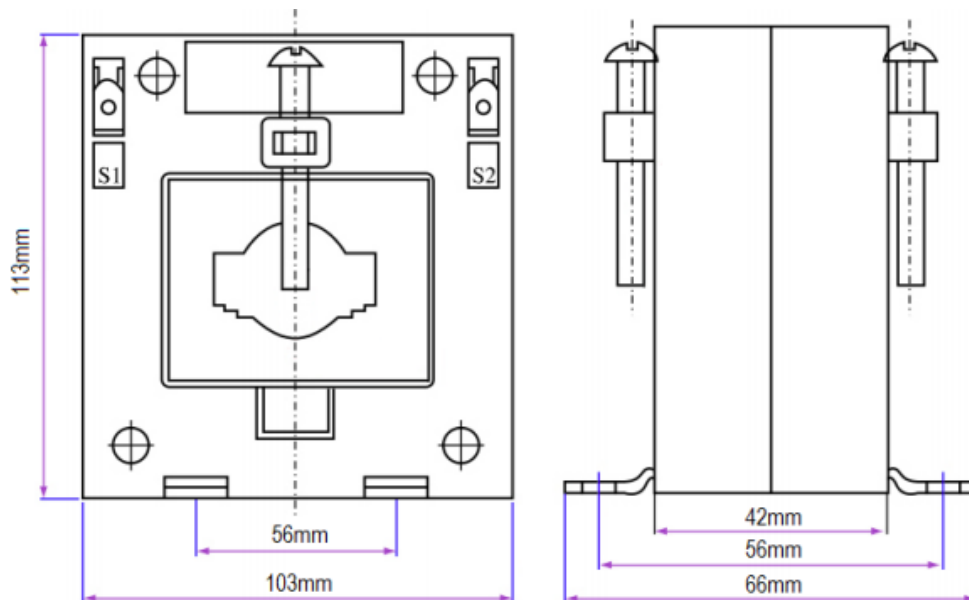
While every effort has been made to ensure the accuracy of this document at the date of issue, Ampcontrol assumes no liability resulting from any omissions or errors in this document, and reserves the right to revise content at any time.



X = Ø 60mm

Mounting = Bracket and Screw

Earth Leakage Toroid - EL500/60 - P/N 115439 - Dimensions & Mounting Details



Mounting = Bracket and Screw

50mm Inner Diameter

*Earth Leakage Toroid - EL500SP1- P/N 178810 - Dimensions & Mounting Details
(requires firmware V6+)*